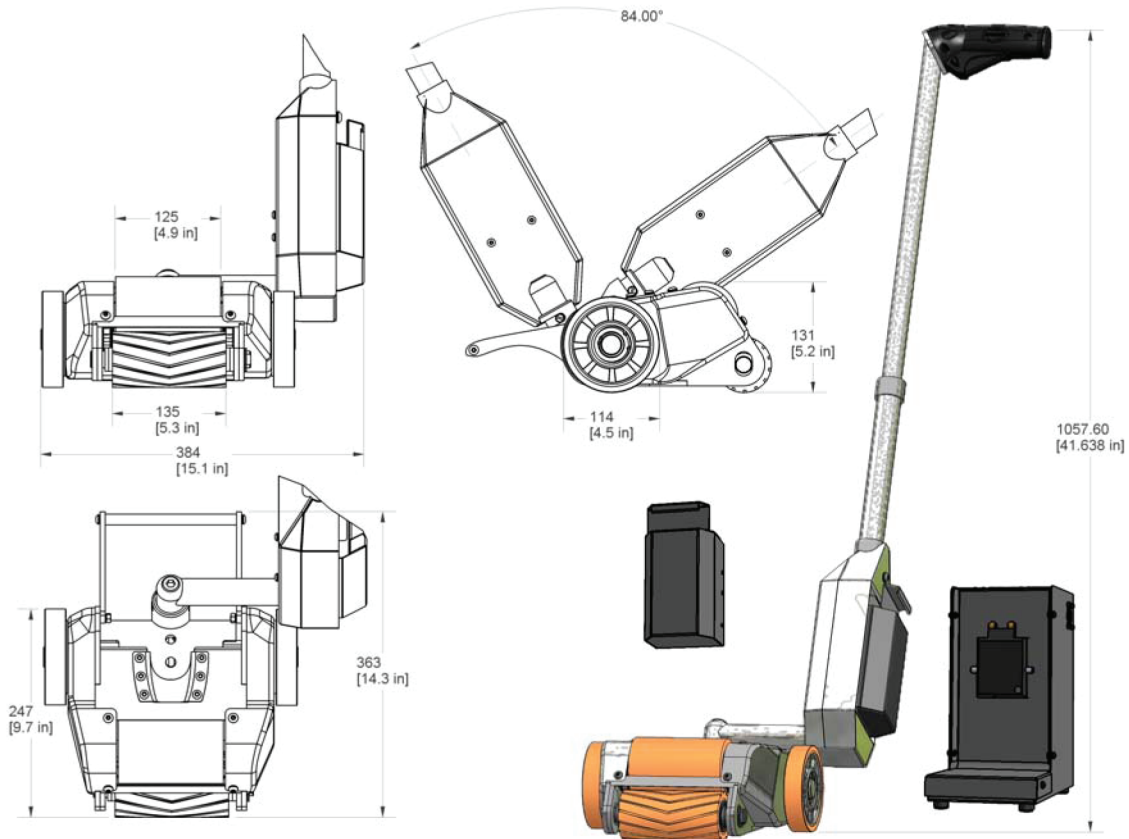


POWERHANDLER – E20S

- Battery-operated, 36V, rated for medium/high-duty-cycle (short rest periods) and low-load applications.
- Features a fan-cooled, brushed electric motor with three-stage planetary gearbox and combination gear and chain-and-sprocket design for lighter duty applications.
- Incorporates a heavy-duty, all-welded, reinforced and chrome-plated main chassis (not bolt-together) that features large diameter (115mm/4½”) rear wheels for faster and easier maneuvering.
- Features a swiveling “S” handle design allowing “separating” of rolls as well as a pivoting rear axle that allows the handle to be rotated forward to “pull” rolls/reels back toward the operator.



BATTERY MODELS	Estimated Maximum Load			Speed Unloaded	Duty-Cycle Capability	Fan-Cooled / Overload Protection	Battery Voltage	Recharge Time
	Cable, Flat	Paper, Flat	Paper, Lift					
	Metric Tonnes (Pounds)			m/min (ft/min)	(Low-High)	(Volts)	(Minutes)	
E20S	6.2 (13,600)	3.3 (7,200)	0	21 (69)	Med-High	Yes/No	36 NiCad	30-45
B30S	11.0 (24,250)	5.8 (12,750)	3.0 (6,600)	16 (52)	Low	No/No	36 NiCad	30-45
B35S	13.0 (28,500)	7.0 (15,400)	4.0 (8,800)	12 (39)	Low	No/No	36 NiCad	30-45
B40S	15.7 (34,600)	8.3 (18,200)	5.9 (13,000)	19 (62)	Low	No/Yes	48 NiCad	45-60
B50S	18.5 (40,700)	9.7 (21,300)	7.0 (15,400)	15 (49)	Low	No/Yes	48 NiCad	45-60
H40S	20.0 (44,000)	10.5 (23,100)	7.5 (16,500)	17 (55)	Med-High	Yes/Yes	36 SLA	120-180
H50S	23.5 (51,700)	12.4 (27,300)	8.8 (19,400)	13 (42)	Med-High	Yes/Yes	36 SLA	120-180

PowerHandling Inc. endeavors to ensure all information provided in this Data Sheet is correct at the time of its publication. However it takes no responsibility for the accuracy, currency, reliability or correctness of the information provided. Note that all load weights in the above table are estimates and meant as a guide only. Each application should be tested to confirm performance. (Updated August 2008)